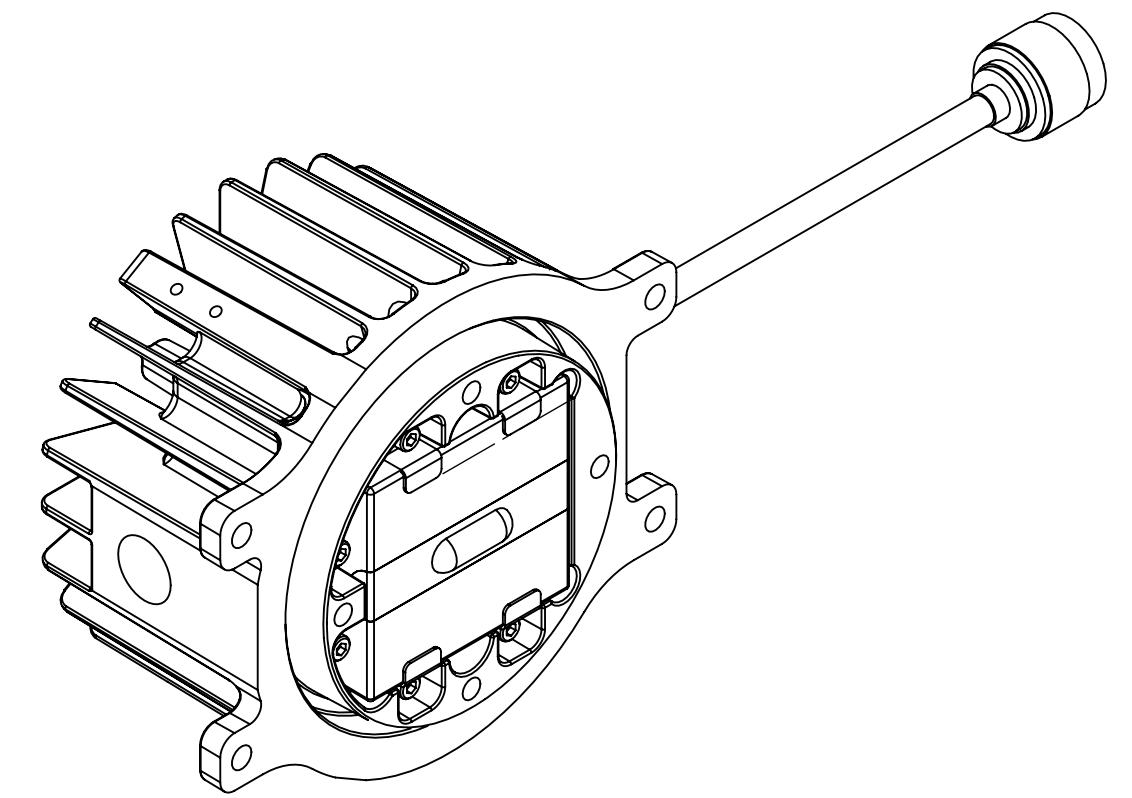
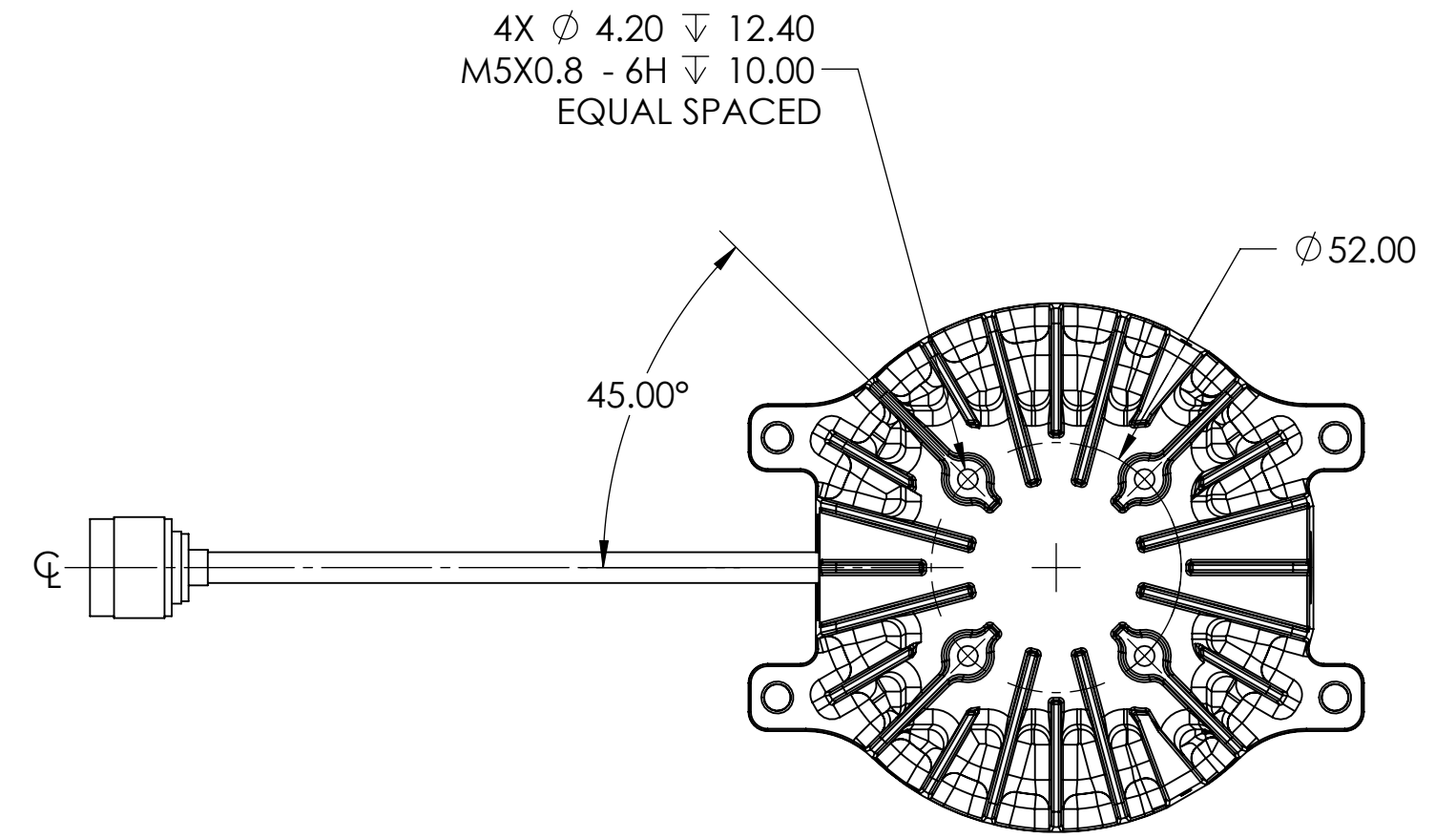
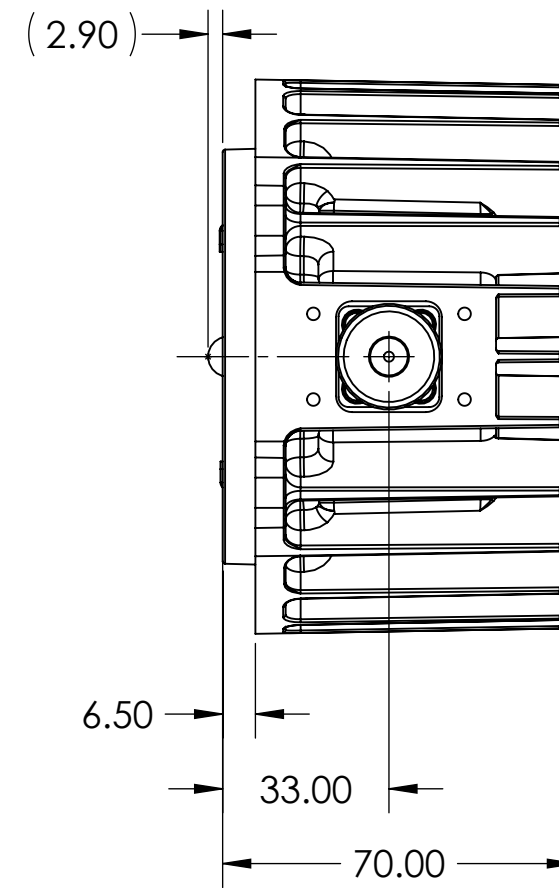
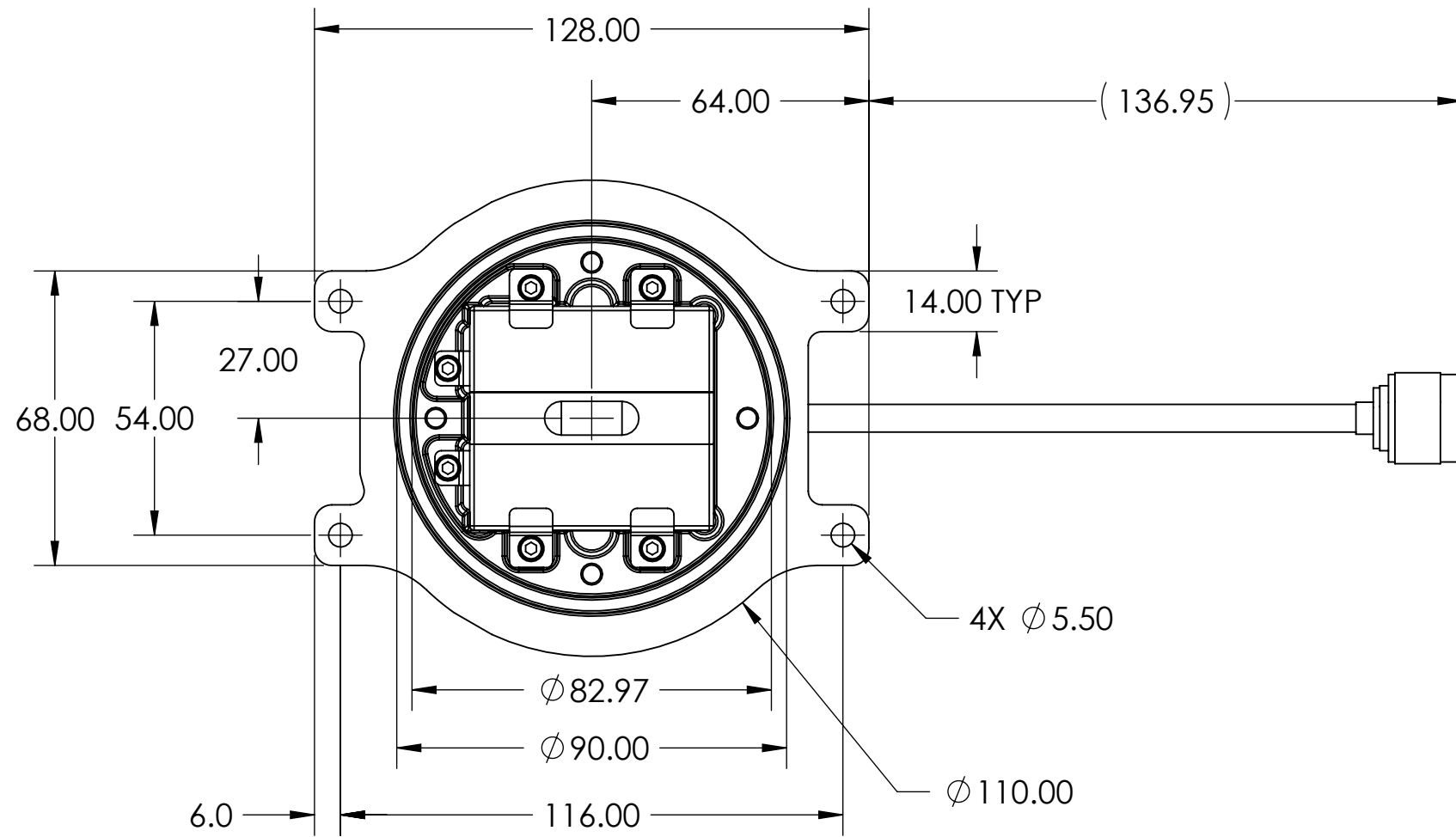


NOTES: UNLESS OTHERWISE SPECIFIED, INTERPRET DRAWING PER ASME Y14.5M. MATERIALS AND FINISH SHALL BE ROHS COMPLIANT.

REV	DESCRIPTION	DRN	APR	DATE
01	INITIAL RELEASE	WN		11/10/09

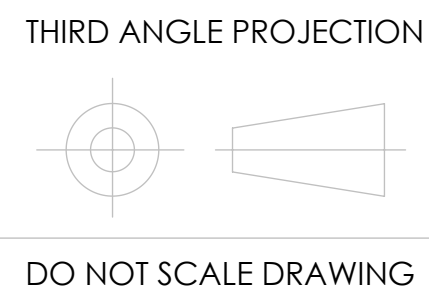


ISOMETRIC VIEW

LUXIM
CORPORATION

PROPRIETARY AND CONFIDENTIAL
THE INFORMATION CONTAINED IN THIS DRAWING IS THE SOLE PROPERTY OF LUXIM CORPORATION. ANY REPRODUCTION IN PART OR AS A WHOLE WITHOUT THE WRITTEN PERMISSION OF LUXIM CORPORATION IS PROHIBITED.

UNLESS OTHERWISE SPECIFIED:
DIMENSIONS ARE IN MILLIMETERS
TOLERANCES:
ANGULAR X.X±1°
DECIMAL X.X ± 0.5
DECIMAL X.XX ± 0.1
SURFACE FINISH: $\sqrt{63}$



MATERIAL
-

FINISH

TITLE:
ASSY,EMITTER,BETA,STA-41-01

SIZE	DWG. NO.	CODE	REV	SHEET
C	01-03033-02	OL01	01	1 OF 1