

# LEP STA 41 Series

Light Emitting Plasma™ for high-illuminance areas  
(400 watt replacement)



280 system watts replaces 460 system watts

Up to 23,000 Directional Lumens

Long Life Up to 50,000 Hours

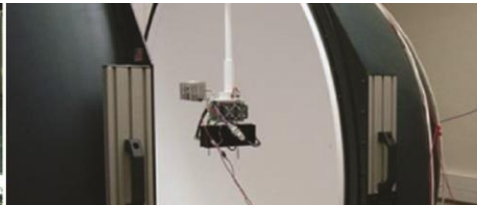
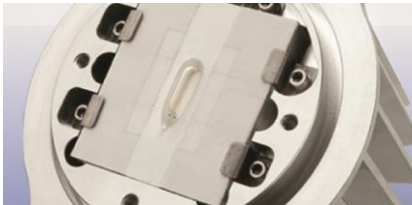
Color Rendering Index Up to 95

Single Small Source (7mm x 15mm)

Dimmable to 20%

Digitally Controlled

Ideal for collector and major roadways, parking, area, canopies, big-box retail, and distribution centers



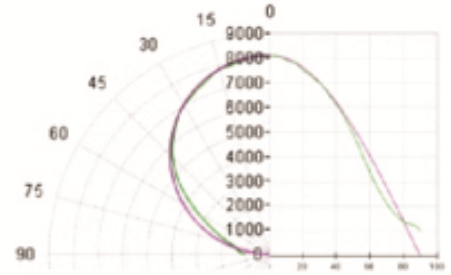
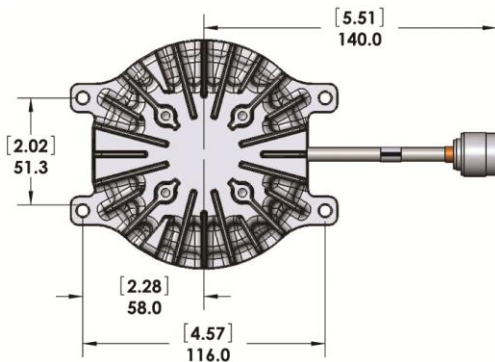
# LiFi STA 41 Series

## Product Data

Part Description	LEP Light Source	
Ordering Code	STA-41-01	STA-41-02
Emitter Length	72.9 mm	
Emitter Diameter	116 mm	
Driver Unit L x W x H	193 x 85 x 32 mm	
Rated Average Life	50,000 Hours	30,000 Hours
Total Initial Lumens	23,000 Lumens	17,000 Lumens
Typical Turn-on Time	45 Seconds	
CCT	5200 Kelvins	5200 Kelvins
CRI	75	95
Dimming Range <sup>1</sup>	20-100%	
DC Input Voltage <sup>2</sup>	28 Volts	
DC Input Current	9.2 Amps	
Nominal AC Power	280 Watts	
Orientation	+ / - 90° from Vertical Down	

<sup>1</sup> Digital and 1-10v analog control for smart lighting applications.

<sup>2</sup> LiFi system DC power. Additional power supply required for AC operation.



Spectral Power Distribution

